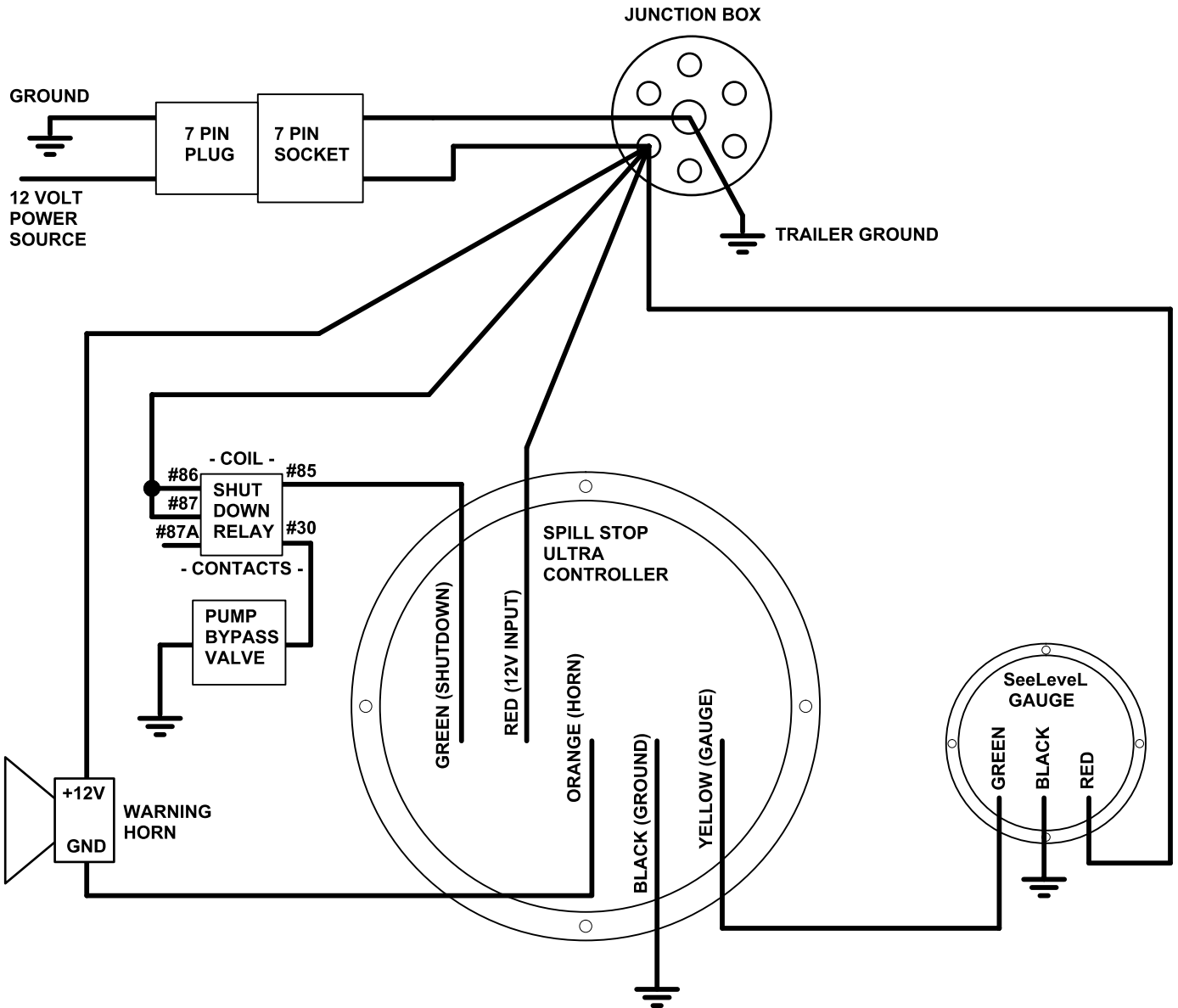


# 815U WIRING DIAGRAM

## TRAILER MOUNTED SPILL STOP WITH HYDRAULIC PUMP SHUTDOWN



### Notes:

- 1) When 12V power is removed from bypass valve, the hydraulic pressure will be bypassed away from the pump.
- 2) Power must be applied to permit pumping.