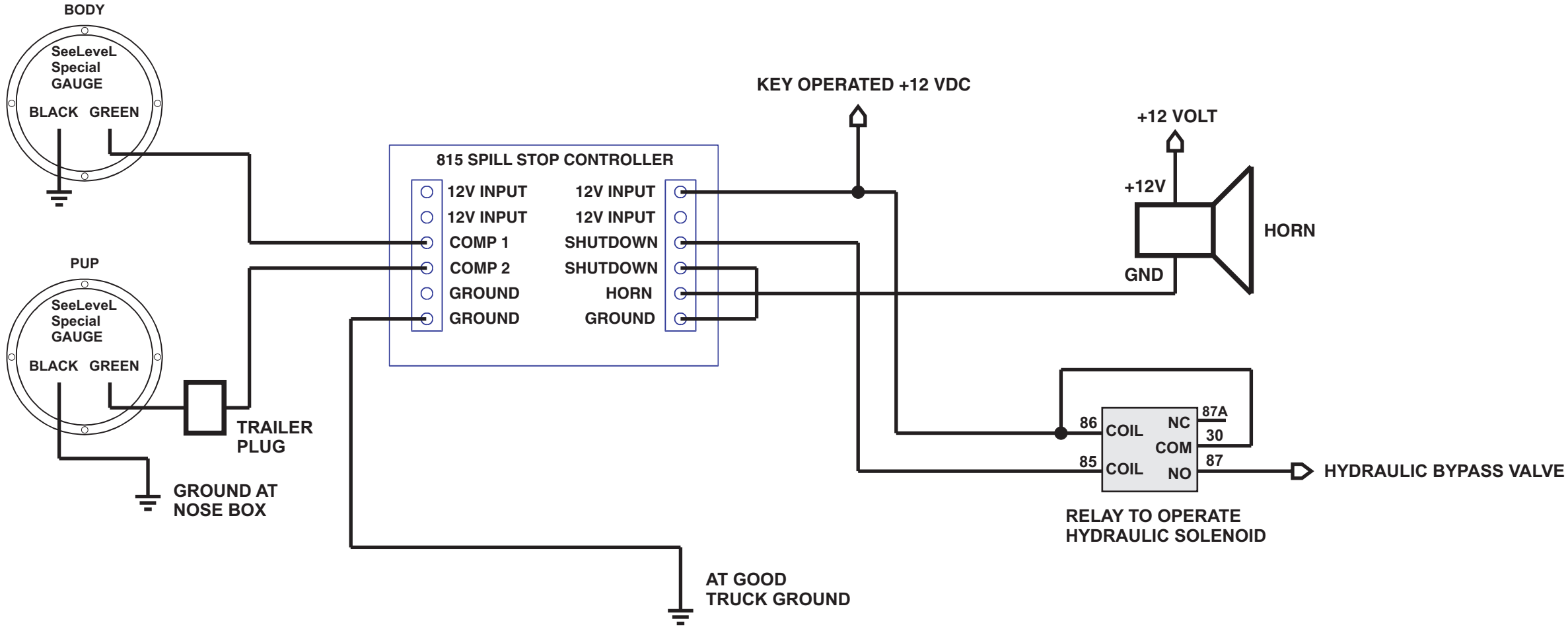


815 WIRING DIAGRAM - TWO 808P2 GAUGES WITH ONE 815 SPILLSTOP FOR HYDRAULIC SHUTDOWN APPLICATION WITH BODY TRUCK AND PUP



- | | |
|-----------------------------------------------|---------------|
| 1. 10-15 AMP POWER SUPPLY | RELAY PIN #30 |
| 2. SOLENOID POWER SUPPLY | RELAY PIN #87 |
| 3. GREEN (SHUTDOWN) 815 | RELAY PIN #85 |
| 4. JUMPER FROM RELAY PIN #30 TO RELAY PIN #86 | |