

SEELEVEL™

In-cab Remote Display

Model 807-ICM



The **SEELEVEL™** model 807-ICM is installed in-cab; in conjunction with the 808-P2 or 810-PS2 display this enables the driver to see tank volume both inside and outside the truck. By enabling readings at multiple locations, Garnet's line of remote monitors increases safety and convenience during fluid transfer operations and for general volumetric monitoring.

SEELEVEL Access™ Integration

Garnet's **SEELEVEL™** gauge systems are versatile and offer modular accessories to customize your system according to your business needs. You can purchase a basic gauge to monitor fluid levels or enhance your system with additional integrated products like the **SEELEVEL™** Remote Display.

For more information about any of our other products please contact us and talk to one of our sales representatives.

807-ICM Features

- Signal line can be connected using a standard 7 pin trailer plug
- Display operates on 12 volt truck power
- All digital design eliminates reading drift or degradation, ensuring long term accuracy under all operating conditions
- Operation from -40 °C to +60 °C (-40 °F to +140 °F) ambient temperature
- Easy installation and servicing, one year limited warranty
- The Model 807-ICM provides an easy-to-read LED display inside a compact enclosure, ideal for dash-front mounting
- Dimmer switch enabling operator to control brightness
- ABS enclosure 2.3" wide x 1.4" high x .75" deep (59 mm wide x 35 mm high x 19 mm deep)
- 3-connection installation: power (red), ground (black), and signal (yellow).

Service and Warranty

Our professional and knowledgeable technicians are on-call to assist you with any problems you may encounter. Products offer a three-year limited warranty.



Printed in Canada

CANADA
Garnet Instruments
286 Kaska Road
Sherwood Park, AB T8A 4G7

USA
Garnet US Inc.
5360 Old Granbury Road
Granbury, TX 76049

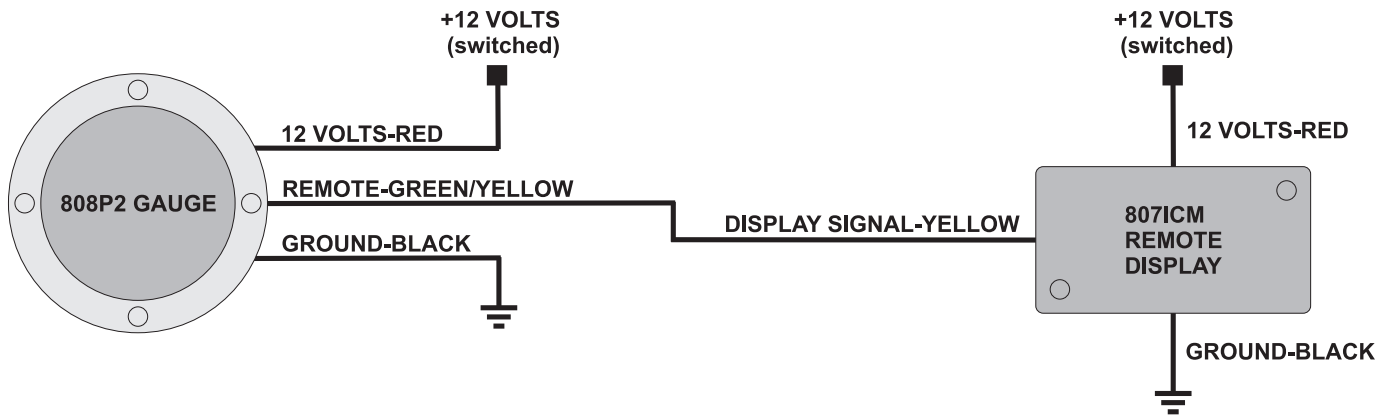
GARNET

Liquid management solutions, your way.

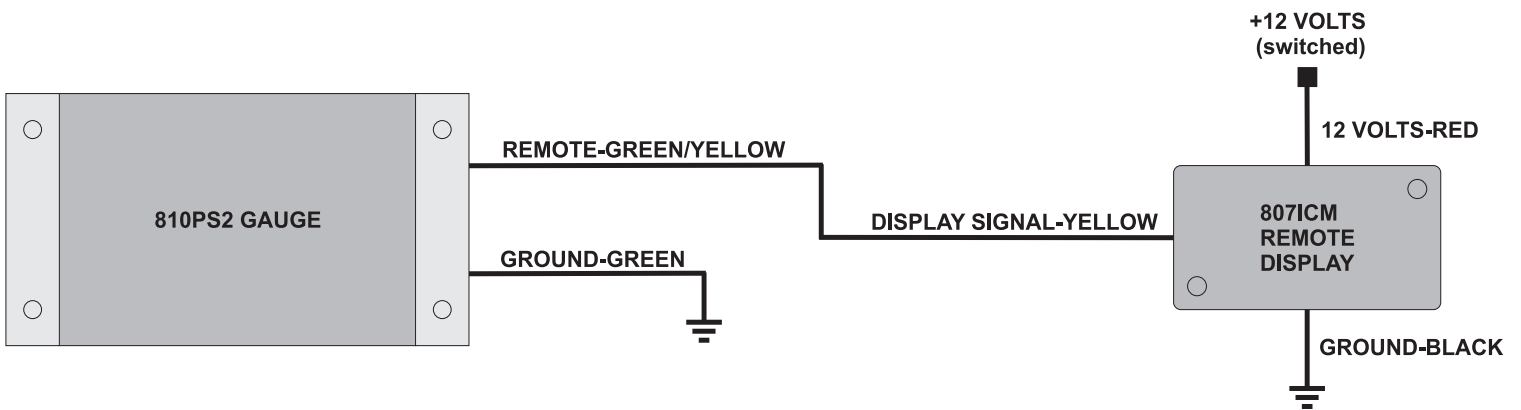
garnetinstruments.com

1-800-617-7384

808-P2 Wiring Diagram



810-PS2 Wiring Diagram



08/21

Printed in Canada

CANADA
Garnet Instruments
286 Kaska Road
Sherwood Park, AB T8A 4G7

USA
Garnet US Inc.
5360 Old Granbury Road
Granbury, TX 76049

GARNET

Liquid management solutions, your way.

garnetinstruments.com

1-800-617-7384