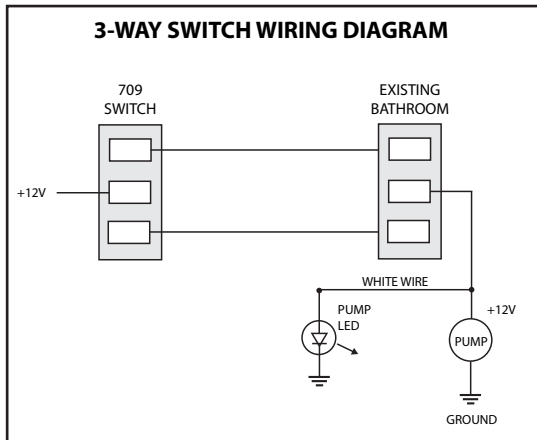
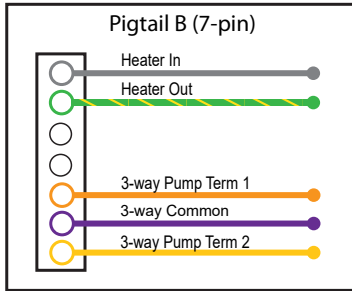


SEELEVEL II™

709-HP3W Wiring Diagram



Pump LED white wire connects to the pump side of all switches

White/Blue Heater Indicator wire

Red wire +12V power input to monitor

