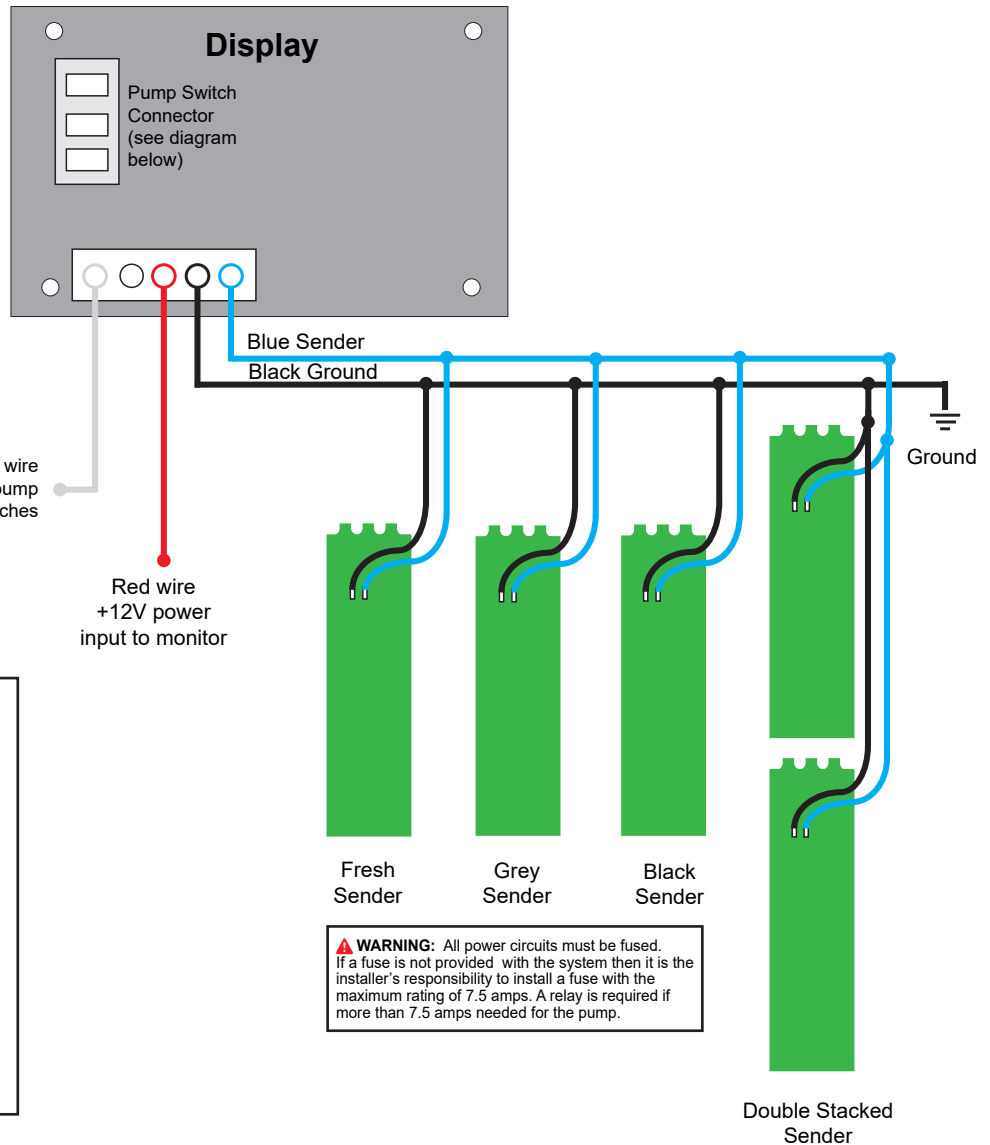
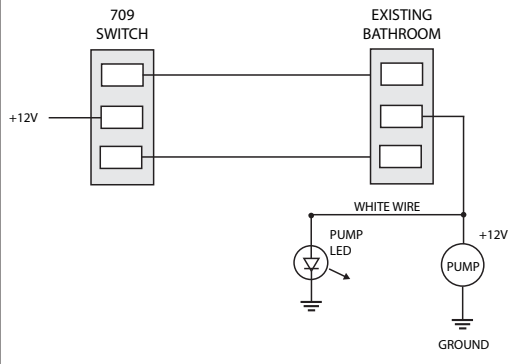


SEELEVEL II™

709-P3 Wiring Diagram



3-WAY SWITCH WIRING DIAGRAM



⚠ WARNING: All power circuits must be fused. If a fuse is not provided with the system then it is the installer's responsibility to install a fuse with the maximum rating of 7.5 amps. A relay is required if more than 7.5 amps needed for the pump.