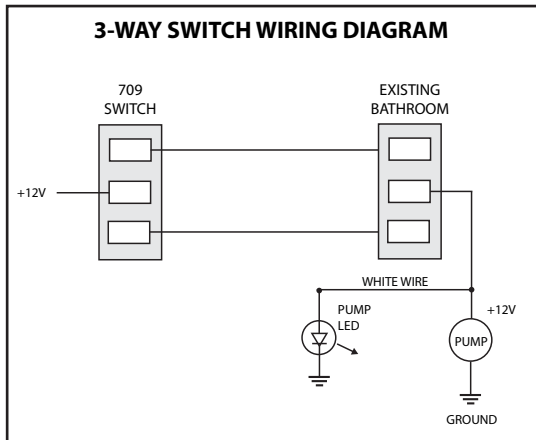
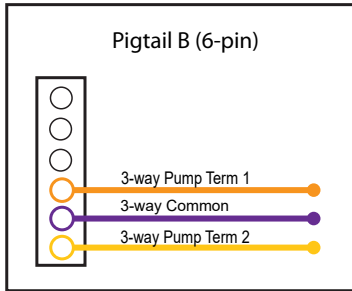
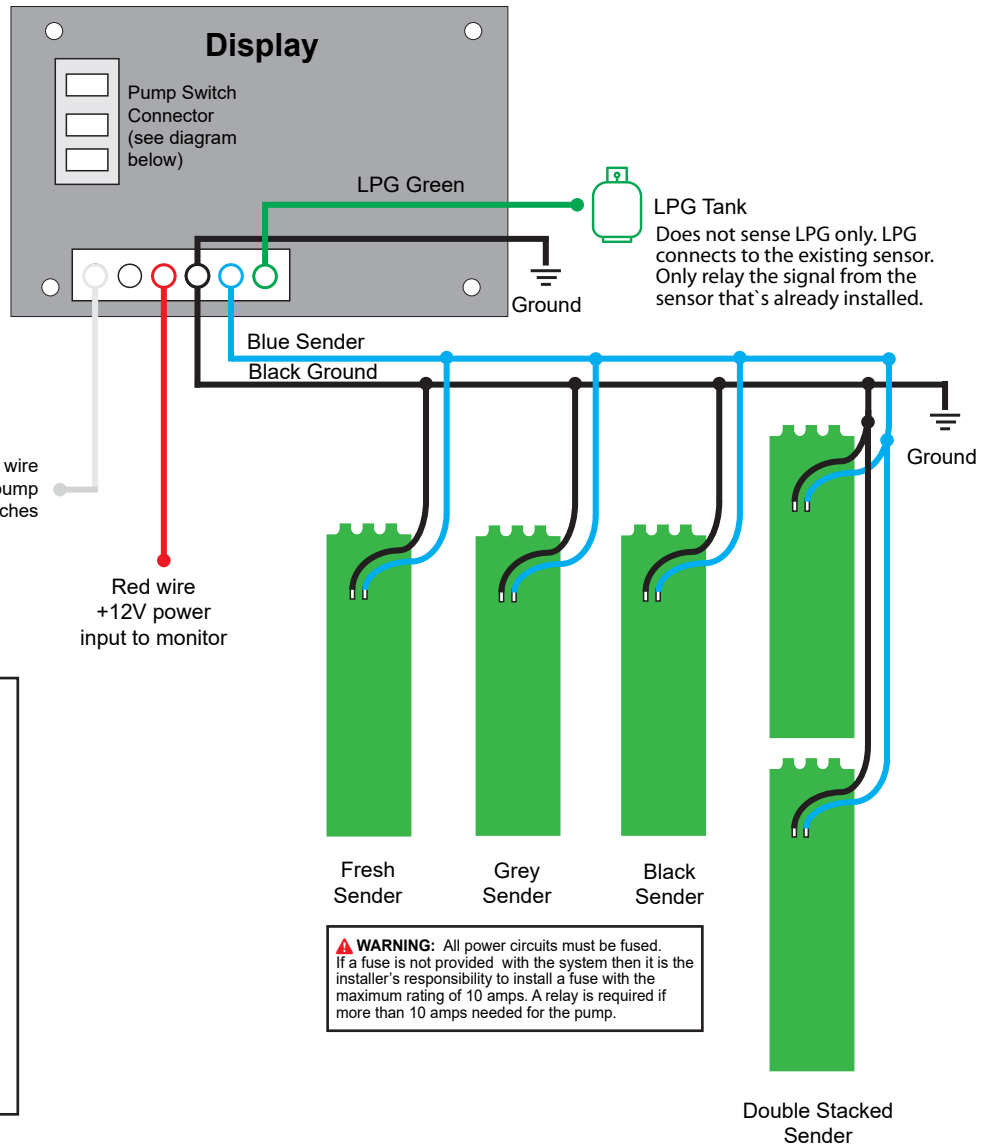


# SEELVEL II™

## 709-P3W Wiring Diagram



**⚠ WARNING:** All power circuits must be fused. If a fuse is not provided with the system then it is the installer's responsibility to install a fuse with the maximum rating of 10 amps. A relay is required if more than 10 amps needed for the pump.