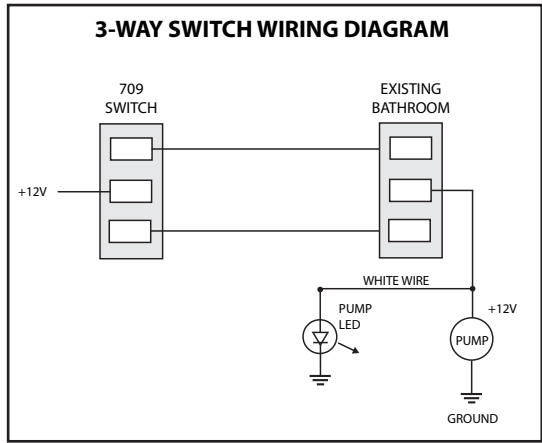
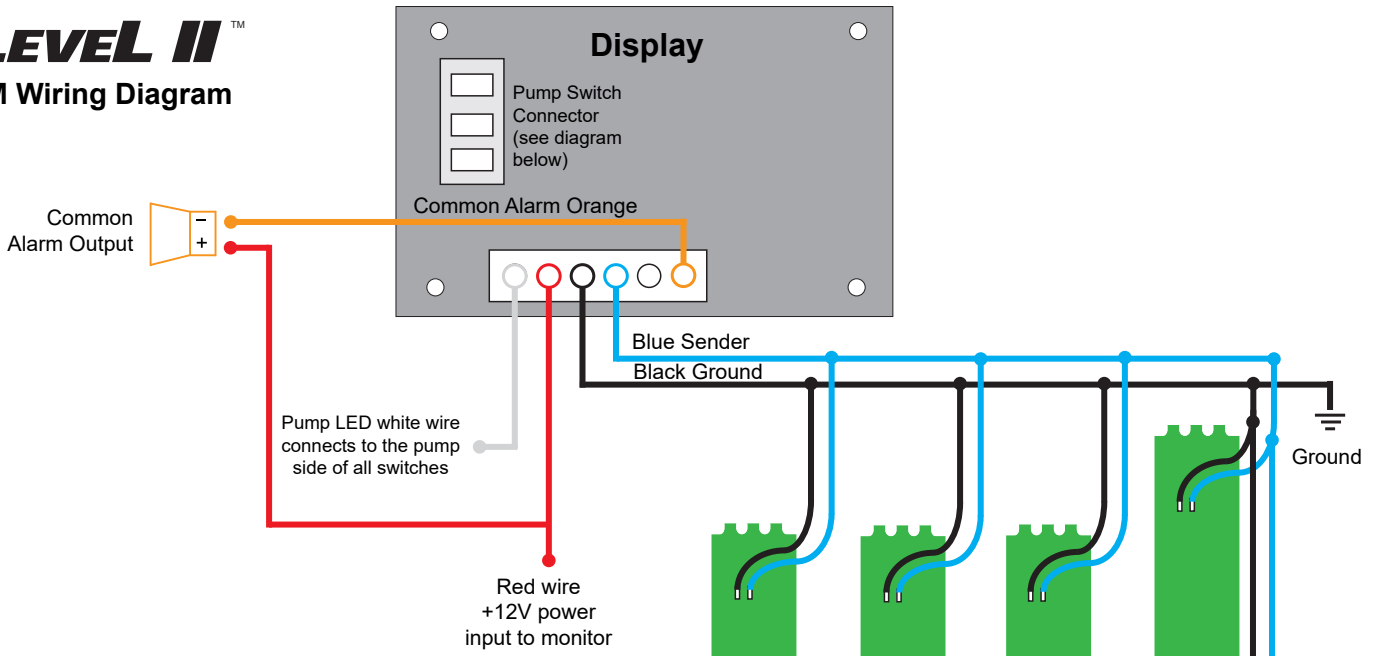


SEELEVEL II™

709-RVC PM Wiring Diagram



Fresh Sender
Grey Sender
Black Sender

⚠ WARNING: All power circuits must be fused. If a fuse is not provided with the system then it is the installer's responsibility to install a fuse with the maximum rating of 7.5 amps. A relay is required if more than 7.5 amps needed for the pump.

⚠ WARNING: If the common alarm device exceeds the maximum rating of 1 amp a relay should be used.

Double Stacked Sender