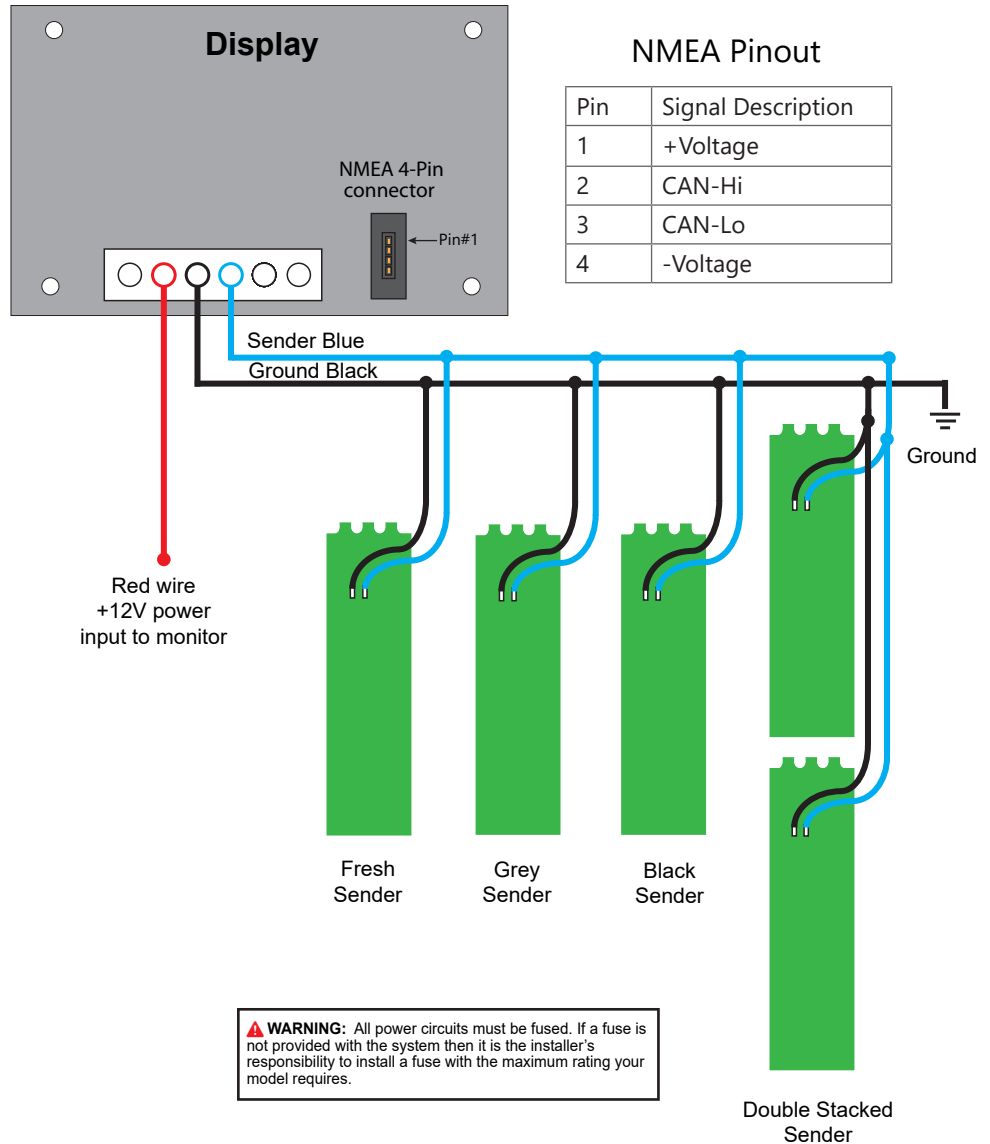


SEELVEL II™

709-N2K NLP Wiring Diagram



Pigtail Wires

Pin	Color	Function
1	-	-
2	Red	+12V
3	Black	Ground
4	Blue	Tank Senders
5		
6		

⚠ WARNING: All power circuits must be fused. If a fuse is not provided with the system then it is the installer's responsibility to install a fuse with the maximum rating your model requires.