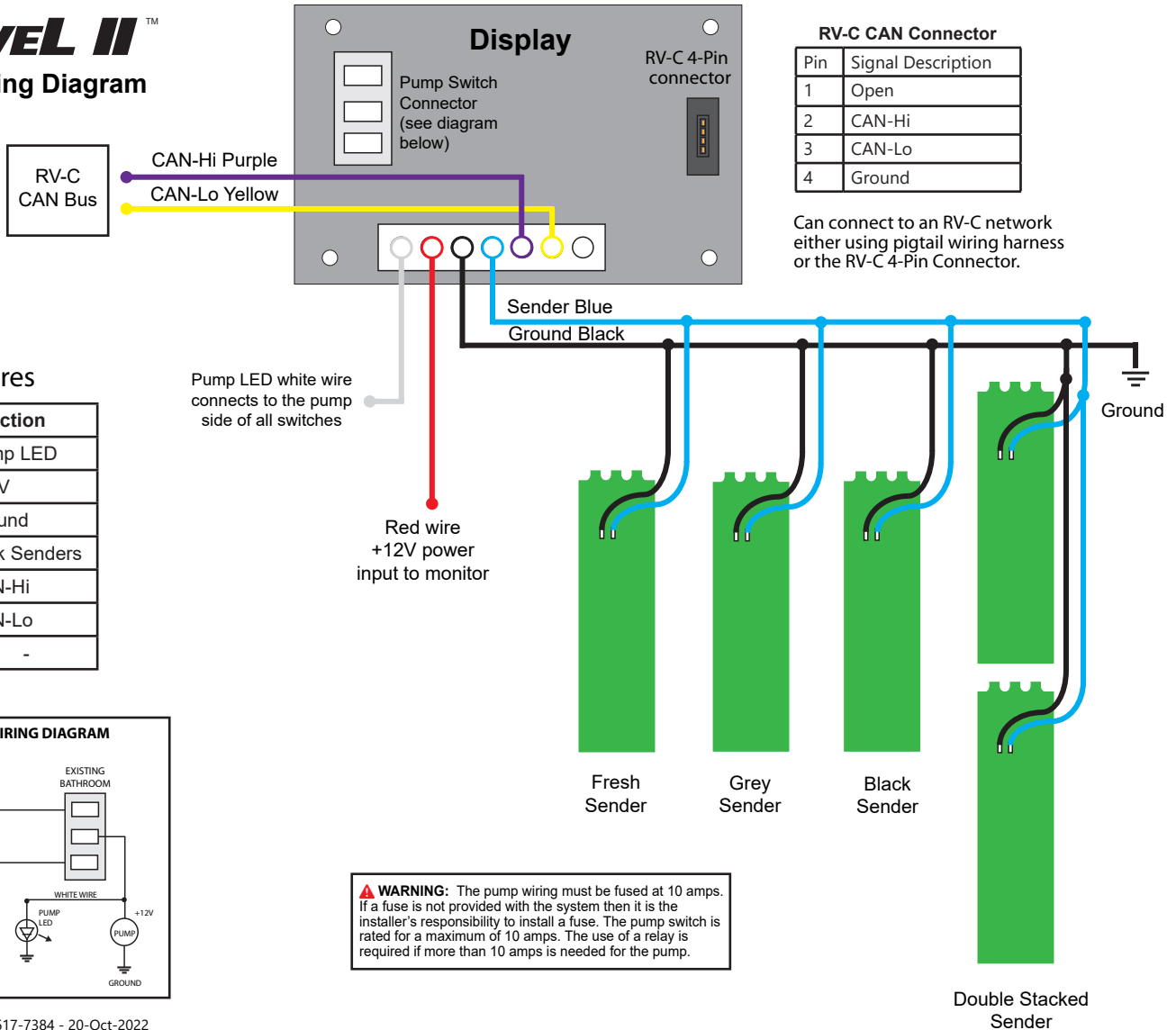


SEELEVEL II™

709-RVC PM Wiring Diagram



RV-C CAN Connector

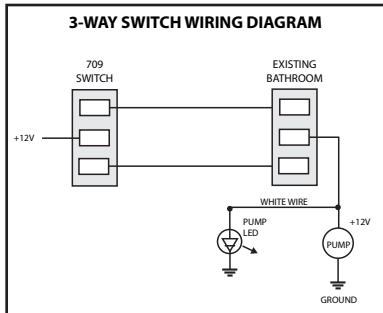
Pin	Signal Description
1	Open
2	CAN-Hi
3	CAN-Lo
4	Ground

Can connect to an RV-C network either using pigtail wiring harness or the RV-C 4-Pin Connector.

Pigtail Wires

Pin	Color	Function
1	White	Pump LED
2	Red	+12V
3	Black	Ground
4	Blue	Tank Senders
5	Purple	CAN-Hi
6	Yellow	CAN-Lo
7	-	-

3-WAY SWITCH WIRING DIAGRAM



⚠ WARNING: The pump wiring must be fused at 10 amps. If a fuse is not provided with the system then it is the installer's responsibility to install a fuse. The pump switch is rated for a maximum of 10 amps. The use of a relay is required if more than 10 amps is needed for the pump.