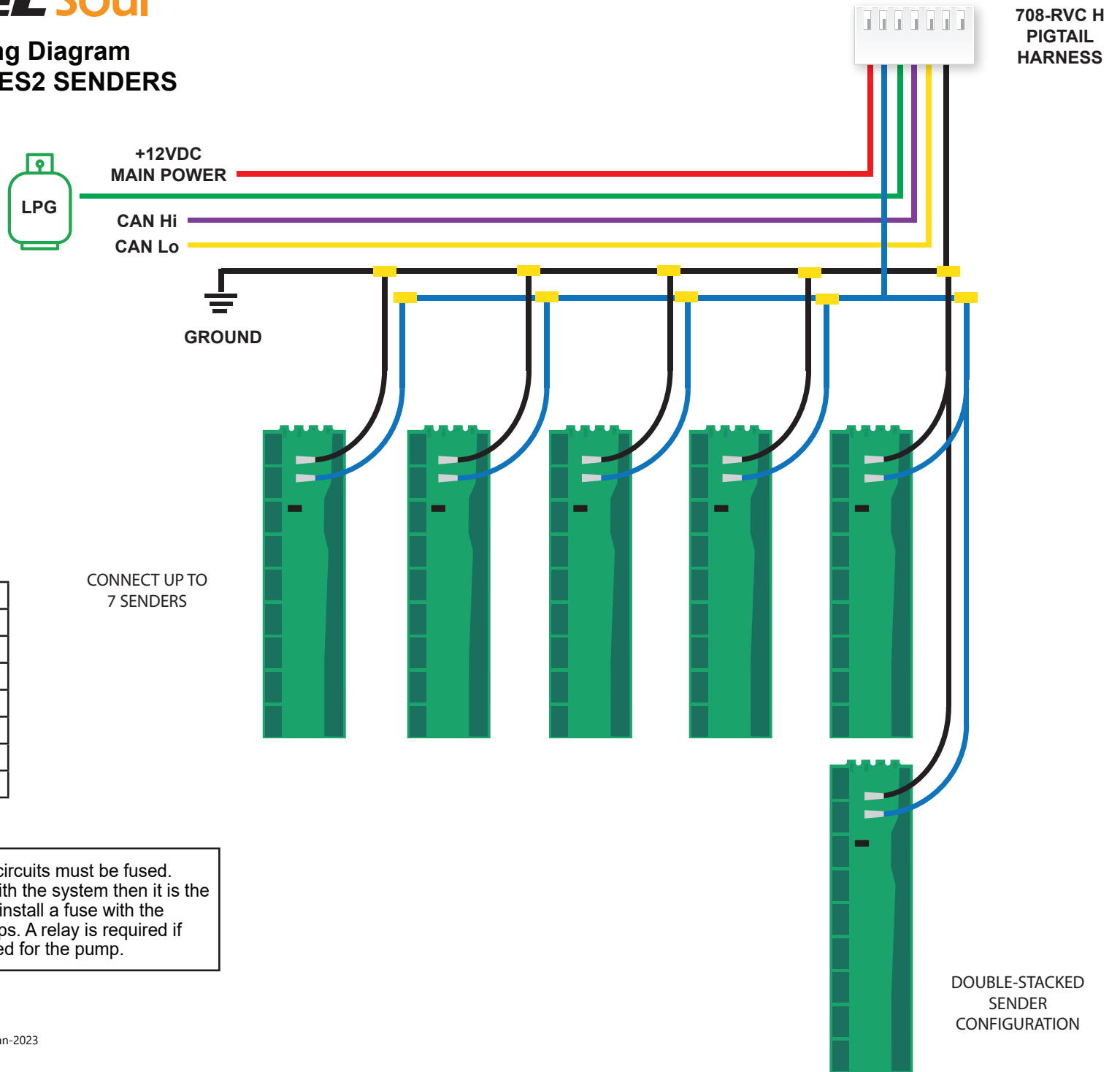


708-RVC H Wiring Diagram for 710-AR and 710-ES2 SENDERS



Pigtail Wires

Pin	Color	Function
1	Red	Power +12V
2	Blue	Tank Senders
3	Green	LPG Tank
4	Purple	CAN-Hi
5	Yellow	CAN-Lo
6	Black	Ground
7	-	-

CONNECT UP TO
7 SENDERS

⚠ WARNING: All power circuits must be fused. If a fuse is not provided with the system then it is the installer's responsibility to install a fuse with the maximum rating of 7.5 amps. A relay is required if more than 7.5 amps needed for the pump.

DOUBLE-STACKED
SENDER
CONFIGURATION