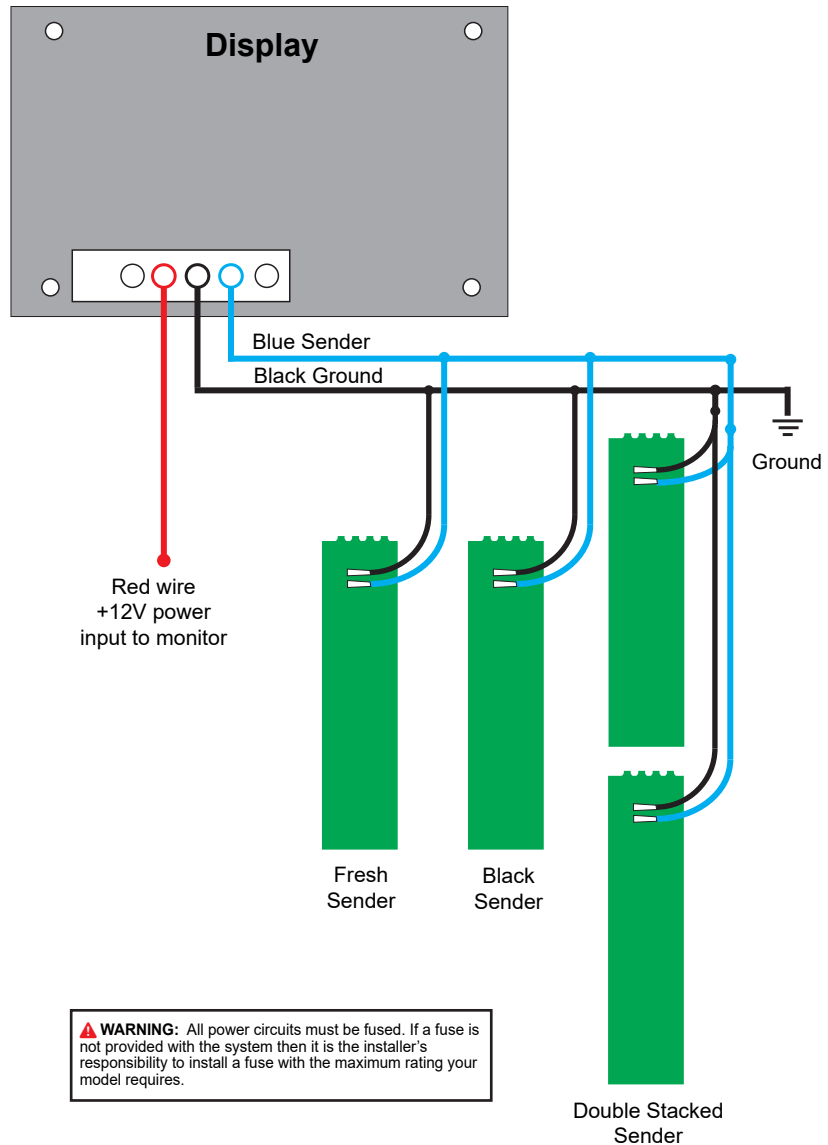


SEELLEVEL II™

709-2 Wiring Diagram

Pigtail Wires

| Pin | Color | Function |
|-----|-------|--------------|
| 1 | - | - |
| 2 | - | - |
| 3 | Red | +12V |
| 4 | Black | Ground |
| 5 | Blue | Tank Senders |
| 6 | - | - |



⚠ WARNING: All power circuits must be fused. If a fuse is not provided with the system then it is the installer's responsibility to install a fuse with the maximum rating your model requires.